

## IPC-T052C

### Thermal Bi-spectrum Network Bullet Camera



### Features

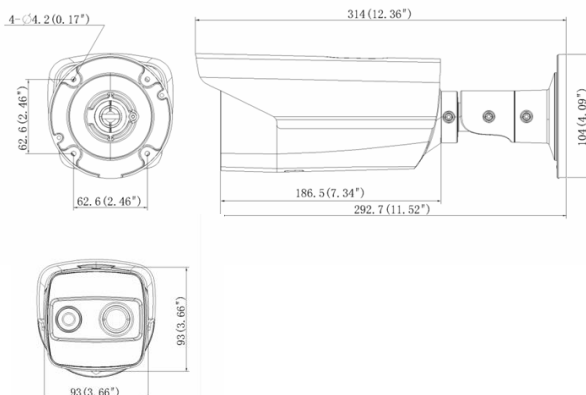
#### Smart Function (Thermal Imaging)

- Leading image processing technology: Adaptive AGC, DDE, 3D DNR, NETD < 50mk (0.05° C/32.09° F)
- Powerful behavior analysis algorithm: Line crossing, Intrusion, Audio exception, Region Entrance & Exit
- Reliable temperature exception alarm function
- Advanced fire detection algorithm

#### Thermal Imaging Module Function

- 160\*120 resolution, high sensitivity sensor, support contrast adjustment
- Support shutter adjustment in various modes
- 3D DNR, 15 palettes of color adjustable, image detail enhancement
- Support mirror image, digital zoom X2, X4 and local output
- 7mm and 10mm Lens are optional
- Support bi-spectrum image fusion, picture in picture preview, and image switching

### Dimensions (in)



<b>Thermal</b>	
Image sensor	Vanadium Oxide Uncooled Focal Plane Arrays
Max, Resolution	160 x 120
Response waveband	8μm to 14μm
NETD	< 50mk(@25°C,F#=1.0)
Lens(focal length)	7mm (10mm optional)
MRAD	3.57mrad(7mm); 2.50mrad(10mm)
Field of View	33.9°×25°(7mm); 23.3°×17.6°(10mm)
F number	1.0
<b>Optical</b>	
Max.Resolution	1920 × 1080
Image Sensor	1/2.8" Progressive Scan CMOS
Min. Illumination	Color: 0.002 Lux @(F1.5,AGC ON), B/W: 0.0002 Lux @(F1.5, AGC ON)
Shutter Speed	1s~1/100,000s
Focal Length	6mm; 8mm
Field of View	52.8° × 30.0°(6mm); 40.0° × 22.4°(8mm)
WDR	Digital WDR
Day & Night	IR cut filter with auto switch
<b>Image function</b>	
Image	Support bi-spectrum image fusion, picture in picture preview, and image switching
<b>Compression</b>	
Main Stream	Visible Light: 50Hz:25fps(1920×1080) Thermal: 50fps(160×120)
Sub Stream	Visible Light: 50Hz:25fps (704 × 576) Thermal: 50fps (160 × 120)
Video Compression	H.264/MJPEG/MPEG4, H.264+ encoding with Baseline/Main/High Profile
Audio Compression	G.711u/G.711a/G.722.1/MP2L2/G.726/PCM
Protocols	IPv4/IPv6,HTTP,HTTPS,802.1x,Qos,FTP,SMTP,UPnP,SNMP,DNS,DDNS,NTP,RTSP,RTCP,RTP,TCP,UDP,IGMP,ICMP,DHCP,PPPoE
Simultaneous live view	Up to 20
User/Host level	Up to 32 users, 3 levels: Administrator, Operator, User
Security measures	User authentication (ID and PW), MAC address binding, HTTPS encryption, IEEE 802.1x access control, IP address filtering
<b>Interface</b>	
Alarm Input	2-ch inputs (0-5VDC)
Alarm Output	2-ch relay outputs, alarm response actions configurable
Audio Input	1 3.5mm Mic in/Line in interface. Line input: 2-2.4V[p-p], output impedance:1KΩ±10%
Audio Output	Linear level, impedance: 600Ω
Reset	1 Reset Button
Ethernet	1 RJ45 10M/100M Self-adaptive Ethernet interface
Analog video output	1.0V[p-p] / 75Ω, PAL(or NTSC), BNC
Application programming	Open-ended API, support ONVIF, PSIA, CGI, HIKVISION SDK and third-party management platform
<b>General</b>	
Power Supply	POE+ (802.3at), 24VAC, 12VDC/3A
Operating Conditions	-40 °F to 140 °F, 90% or less
Protection Level	IP67
Dimensions	12.36"×4.09"×11.52"
Weight	3.42lb

\* Product specifications may change without prior notice.



### Order Model

IPC-T052C(7mm/10mm)