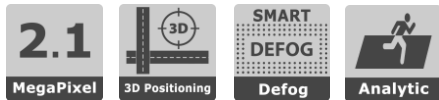


IPTZ542-25X/IR

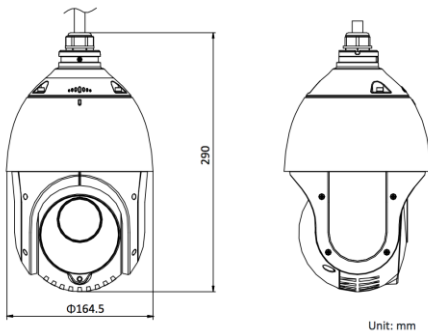
2MP 25X Zoom Network PTZ Camera with IR



Features

- 2.1MP, 1920x1080@30fps
- 4.8 mm to 120 mm, 25x optical zoom
- 360° endless high-speed Pan & tilt rotation
- 3D intelligent positioning
- Super low light performance (color at 0.005 Lux)
- IR distance max 100m (330ft)
- Support on-board storage up to 128GB
- Support audio I/O
- 120dB TrueWDR, HLC, EIS, Regional Exposure,
- Support smart defog
- 12 VDC & PoE+ (802.3 at, class4)
- IP66, IK08
- Video Content Analytic
- Support H.265+/H.265 video compression

Dimensions



Optional Brackets



Bracket-PTZPM

Bracket-PTZWMM

Camera	
Image Sensor	1/2.8" Progressive Scan CMOS
Effective Pixel	1920(H) x1080(V)
Color: Min. Illumination	Color: 0.005Lux @ (F1.6, AGC On), B/W: 0.001Lux @ (F1.6, AGC On)
White Balance	Auto/Manual/ATW (Auto-tracking White Balance)/Indoor/Outdoor/Fluorescent Lamp/ Sodium Lamp
AGC	Auto / Manual
3D DNR	Support
BLC	Support
WDR	120dB TrueWDR
Defog	Support
Shutter Time	1/1-1/10,000s
Day & Night	IR cut filter with auto switch
Digital Zoom	16X
Privacy Mask	8 privacy masks programmable
Focus Mode	Auto / Semiautomatic / Manual
IR distance	100 m (300 ft), Smart IR
Lens	
Focal Length	4.8-120mm, 25x
Zoom Speed	Approx.3.6s(Optical Wide-Tele)
Angle of View	57.6 - 2.5 degree (Wide-Tele)
Min. Working Distance	10-1500mm(Wide-Tele)
Aperture Range	F1.6-F3.5
Pan and Tilt	
Pan/ Tilt Range	Pan: 360° endless; Tilt: -15° ~ 90° (Auto Flip) Pan manual speed: 0.1° ~ 80° /s, Pan preset speed: 80° /s
Pan/ Tilt Speed	Tilt manual speed: 0.1° ~ 80° /s, Tilt preset speed: 80° /s
Proportional Zoom	Rotation speed can be adjusted automatically according to zoom multiples
Number of Preset	300
Patrol	8 patrols, up to 32 presets per patrol
Park action	Preset / Patrol / Pattern / Pan scan / Tilt scan / Random scan / Frame scan / Panorama scan
Power-off Memory	Support
PTZ Position Display	On / Off
Preset Freezing	Support
Compression Standard	
Video Compression	Main Stream: H.265+/H.265/H.264+/H.264 Sub-stream: H.265/H.264/MJPEG Third Stream: H.265/H.264/MJPEG
Audio Compression	G.711alaw/G.711ulaw/G.722.1/G.726/MP2L2/PCM
Max. Image Resolution	1920x1080
Main Stream	50Hz: 25fps (1920x1080), 25fps (1280x720) 60Hz: 30fps (1920x1080), 30fps (1280x720)
Sub Stream	50Hz: 25fps(704x576), 25fps(352x288), 25fps(320x240) 60Hz: 30fps(704x480), 30fps(352x240), 30fps(320x240)
Image Compression	H.264/MJPEG: variable bit rate 32Kbps ~ 2048 Kbps
SVC	Support
Smart Features	
Basic Event	Motion Detection, Video Tampering Detection, Exception
Smart Event	Intrusion Detection, Line Crossing Detection, Region Entrance Detection, Region Exiting Detection, Object Removal Detection, Unattended Baggage Detection
ROI	Main stream, sub-stream, and third stream respectively support four fixed areas.
Network	
Ethernet	10Base-T / 100Base-TX, RJ45 connector
Protocols	IPv4/IPv6, HTTP, HTTPS, 802.1x, Qos, FTP, SMTP, UPnP, SNMP, DNS, DDNS, NTP, RTSP, RTCP, RTP, TCP/IP, UDP, IGMP, ICMP, DHCP, PPPoE, Bonjour
Number of Simultaneous Live View	Up to 20 channels
Dual Streams	Support
Mini SD Memory Card	Built-in Micro SD card slot, up to 128GB
User/Host Level	Up to 32 users, 3 Levels: Administrator, Operator and User
Security Measures	User authentication (ID and PW), Host authentication (MAC address); HTTPS encryption; IEEE802.1x port-based network access control; IP address filtering
Interface	
Audio Interface	1-ch audio input and 1-ch audio output
Network Interface	1 RJ45 10 M/100 M Ethernet, PoE+ (802.3 at, class4)
General	
Power	12 VDC and PoE+ (802.3 at, class4)Max.: 18 W (Max. 7W for IR)
Working Temperature / Humidity	-30° C to 65° C (-22° F to 149° F) 90% or less
Material	ADC 12, PC, PC+10% GF
Protection Level	IP66 standard TVS 4,000V lightning protection, surge protection and voltage transient protection
Dimensions	Φ 164.5 mm × 290 mm (Φ 6.48" × 11.42")
Net Weight	Approx. 2 kg (4.41 lb)

Product specifications may change without prior notice.

