

IPC7P8

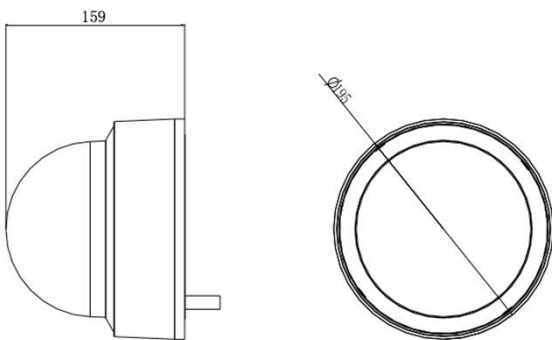
PanoVu series Panoramic Dome Camera



Features

- 1/1.8" Progressive Scan CMOS
- Panoramic camera
- Up to 7.3MP resolution (4096×1800)
- 4×5mm fixed lens
- Ultra-low light
- Digital WDR
- Heater & fan optional
- IP66

Dimensions (mm)



Order Model

IPC7P8

Camera	
Image Sensor:	1/1.8" Progressive Scan CMOS
Signal System:	PAL/NTSC
Min. Illumination:	0.002 Lux @ (F1.2, AGC ON)
Shutter time:	1/25s ~ 1/100,000s
Lens:	5mm ×4, Pan: 180°, Tilt:78.4°
Lens Mount:	CS
Adjustment Range:	Pan: 0°~360°, tilt: 45°~90°
Day& Night:	IR cut filter with auto switch
Wide Dynamic Range:	Digital WDR
Digital noise reduction:	3D DNR
Compression Standard	
Video Compression:	H.264/MJPEG
H.264 code profile:	Baseline Profile / Main Profile / High Profile
Video bit rate:	32Kbps~16Mbps
Audio Compression:	G.711/G.722.1/G.726/MP2L2
Audio bit rate:	64Kbps(G.711) / 16Kbps(G.722.1) / 16Kbps(G.726) / 32-192Kbps(MP2L2) / 16-64Kbps(AAC)
Dual Stream:	Yes
Image	
Max. Image Resolution:	4096×1800
Mode1:	Main stream:
Frame Rate:	50Hz: 25fps(4096 × 1800, 3840× 1680)
	60Hz: 30fps(4096 × 1800, 3840× 1680)
	Mode2:
Sub Stream:	Main stream:
	50Hz: 25fps(2400 × 3840, 1200 × 1920)
	60Hz: 24fps(2400 × 3840),30fps(1200 × 1920)
Image Enhancement:	Mode1:
	50Hz: 25fps (704× 320)
	60Hz: 30fps(704× 320)
Image Settings:	Mode2:
	50Hz: 25fps(480 × 768, 320× 512)
	60Hz: 30fps(480 × 768, 320× 512)
BLC:	Support
Smart Defog:	Support
3D DNR:	Support
ROI:	Support
Picture Overlay:	LOGO picture can be overlaid on video with 128x128 24bit bmp format
Day/Night Switch:	Auto/Schedule/Triggered by Alarm In
Network	
Network Storage:	NAS (Support NFS,SMB/CIFS), ANR
Alarm Trigger:	Motion detection, tampering alarm, network disconnect , IP address conflict, storage exception
Protocols:	TCP/IP, UDP, ICMP, HTTP, HTTPS, FTP, DHCP, DNS, DDNS, RTP, RTSP, RTCP, PPPoE, NTP, UPnP, SMTP, SNMP, IGMP, QoS, IPv6, Bonjour
General Function:	User Authentication, Watermark, IP address filtering
System Compatibility:	ONVIF, ISAPI
Interface	
Audio:	1-ch 3.5 mm audio in (Mic in/Line in)/out interface
Alarm:	1 input, 1 output (up to DC24V 1A or AC110V 500mA)
Alarm Input:	1
Alarm Output:	1
On-board storage:	Built-in Micro SD/SDHC/SDXC slot, up to 128 GB
Reset Button:	Yes
General	
Operating Conditions:	-30 °C ~ 60 °C (-22 °F ~ 140 °F)
Power Supply:	Humidity 95% or less (non-condensing)
Power Consumption:	DC12V±10% / PoE (AC24V optional)
Impact Protection:	22W
Dimensions:	IK10
Weight:	Φ195×159 mm
	2850 g

* Product specifications may change without prior notice.

