

IPC7PT6D24

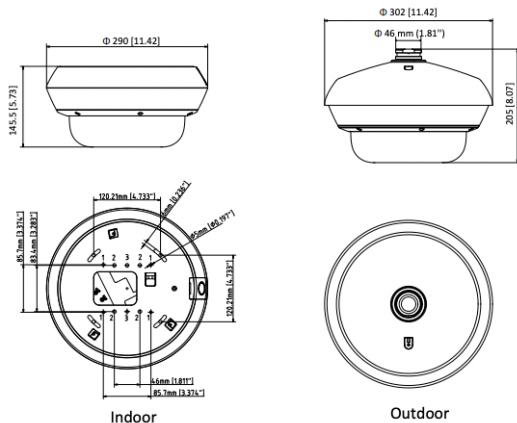
EXIR Flexible PanoVu Network Camera



Features

- 1/2.7" Progressive Scan CMOS
- 1920 × 1080 @ 30fps
- FOV: horizontal 30° to 96.3°, vertical 17° to 54°, diagonal 34° to 121°
- H.265, H.264, H.265+, H.264+
- Fiber optical transmission, optional
- 10 m to 30 m IR range
- IP67, IK10
- 4 flexible lens
- 6 behavior analyses, 4 exception detection, and face detection

Dimensions (mm)



Camera	
Image Sensor:	1/2.7" Progressive Scan CMOS
Color:	0.006 Lux @ (F1.2, AGC ON), 0.01 Lux @ (F1.6, AGC ON)
Min. Illumination:	B/W: 0.002 Lux @ (F1.2, AGC ON); 0.003 Lux @ (F1.6, AGC ON) 0 Lux with IR on
Shutter time:	1 s - 1/100,000 s
Lens:	2.8mm to 12mm
Lens Mount:	φ14
Adjustment Range:	Four flexible lens in one track, slide range: -180° to 180°, tilt: 0° to 135°, rotate: 0° to 355°
Day& Night:	IR cut filter with auto switch
Wide Dynamic Range:	120 dB
Digital noise reduction:	3D DNR
Compression Standard	
Video Compression:	H.265+/H.265/H.264+/H.264/MJPEG
H.264 code profile:	Baseline Profile / Main Profile / High Profile
Video bit rate:	32Kbps~16Mbps
Audio Compression:	G.711/G.722.1/G.726/MP2L2
Audio bit rate:	64Kbps(G.711) / 16Kbps(G.722.1) / 16Kbps(G.726) / 32-192Kbps(MP2L2) / 16-64Kbps(AAC)
Dual Stream:	Yes
Image	
Frame Rate:	50Hz: 25fps (1920 × 1080, 1280 × 960, 1280 × 720) 60Hz: 30fps (1920 × 1080, 1280 × 960, 1280 × 720)
Sub Stream:	50Hz: 25fps (704 × 576, 640 × 480) 60Hz: 30fps (704 × 480, 640 × 480)
Third Stream:	50Hz: 25fps (1920 × 1080, 1280 × 960, 1280 × 720, 704 × 576, 640 × 480) 60Hz: 30fps (1920 × 1080, 1280 × 960, 1280 × 720, 704 × 480, 640 × 480)
Image Enhancement:	BLC/ 3D DNR/ROI/Defog
Image Settings:	Rotate Mode, Saturation, Brightness, Contrast, Sharpness adjustable by client software or web browser
BLC:	Support
Smart Defog:	Support
3D DNR:	Support
Picture Overlay:	LOGO picture can be overlaid on video with 128x128 24bit bmp format
Day/Night Switch:	Day/Night/Auto/Schedule/Triggered by Alarm In
Network	
Network Storage:	microSD/SDHC/SDXC card (128G), local storage and NAS (NFS,SMB/CIFS), ANR
Alarm Trigger:	Motion detection, tampering alarm, network disconnect , IP address conflict, storage exception
Protocols:	TCP/IP, UDP, ICMP, HTTP, HTTPS, FTP, DHCP, DNS, DDNS, RTP, RTSP, RTPC, PPPoE, NTP, UPnP, SMTP, SNMP, IGMP, QoS, IPv6, Bonjour
General Function:	User Authentication, Watermark, IP address filtering
System Compatibility:	ONVIF (Profile S, Profile G), ISAPI
Interface	
Communication	1 RJ45 10M/100M/1000M Ethernet port
Interface:	1 RS-485 interface
Audio:	1 input (line in), 1 output
Alarm:	2 input, 2 output (up to 24 VD, 1A or 110 VAC, 500mA)
On-board storage:	Built-in Micro SD/SDHC/SDXC slot, up to 128 GB
Reset Button:	Yes
Audio	
Environment Noise Filtering:	Support
Audio Sampling Rate:	8 kHz/16 kHz/32 kHz/44.1 kHz/48 kHz
General	
Operating Conditions:	-30 °C ~ 60 °C (-22 °F ~ 140 °F) Humidity 95% or less (non-condensing) 12 VDC ± 20%: max. 28 W/2.3 A
Power Consumption:	24 VAC ± 20%, max. 50 to 60 Hz/2.5 A (for customization) Hi-PoE: 42.5 VDC to 57 VDC, max. 34W/0.9 A to 0.6 A
Impact Protection:	IK10
Weather Proof:	IP67
IR Range:	Approx. 10 to 30 meters
Dimensions:	Camera: Ø290 mm × 145.5 mm (Ø11.42" × 5.73") Package: 453 mm × 393 mm × 385 mm (17.8" × 15.47" × 15.16")
Weight:	Camera: Approx. 4.7 kg (10.3 lb.) With package: Approx. 7.7 kg (16.8 lb.)

* Product specifications may change without prior notice.

Order Model

IPC7PT6D24

